



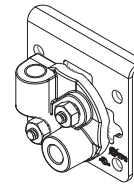
VERTSTICK FASTENING SYSTEM

BRINGING LIGHTNING PROTECTION INTO THE 21ST CENTURY

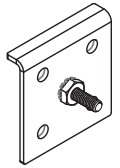
Introducing VertStick, the first parapet attachment system that can use VHB tape or M-1 adhesive, all while maintaining perfect alignment along the parapet. So, no penetrations, VHB or adhesive, UL listed, and beautiful cable runs every time. Now, no more restrictions for applications. If you can use adhesive you can use VertStick.

The VFC VertStick fastening system brings LPSs into the 21st century. The VertStick system uses state-of-the-art architectural adhesive tapes or modern construction adhesives with patented fasteners to ensure consistent appearance and long-lasting adhesion. And now with perfect alignment, every conductor run perfectly straight perfectly aligned, every time.

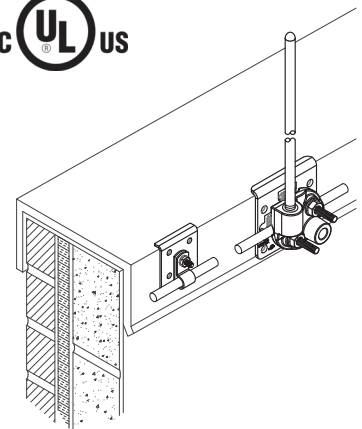
No more sheet metal screws as this system doesn't require penetration on any sheet metal surface bare or painted and mounts to surfaces with an attractive patented support clip. And now with perfect alignment, every conductor run perfectly straight perfectly in align.



TKUB12A-VS



ZP1A-VS



This product may be subject to patent rights of VFC. Consult your patent attorney about your rights and responsibilities regarding patented products.

25 YEARS OF 3M EXPERIENCE

10 YEAR ADHESION WARRANTY

The architectural adhesive tapes in the VFC System are currently and have been used all over the world supporting exterior architectural metal panels in the harshest environments since the 1980's. As this system was installed on the Walt Disney Concert Hall, it should meet or exceed the requirements of your LPSs. We also provide a 10 year adhesion warranty. For a better attachment system, the VFC VertStick® is the solution.